

SCOTSVILLE, PORTHCRESSA ROAD, ST.MARYS, ISLES OF SCILLY

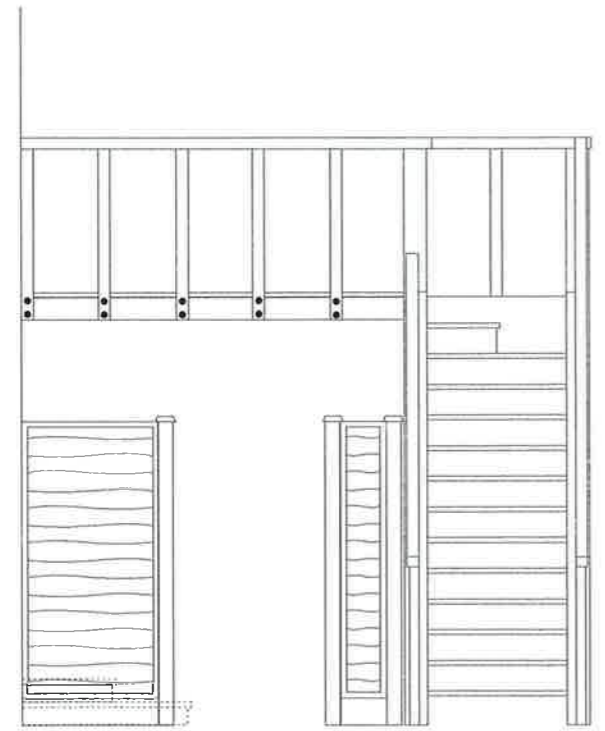
COUNCIL OF THE ISLES OF SCILLY
 Planning Department

PLANNING PERMISSION
GRANTED

Subject to Conditions (if any) Specified on Decision Notice
 Development to be Commenced within 3 years

SIGNATURE *D.A. Nicholas*

DATE OF DECISION 6/2/01 APDN. NO. P4926

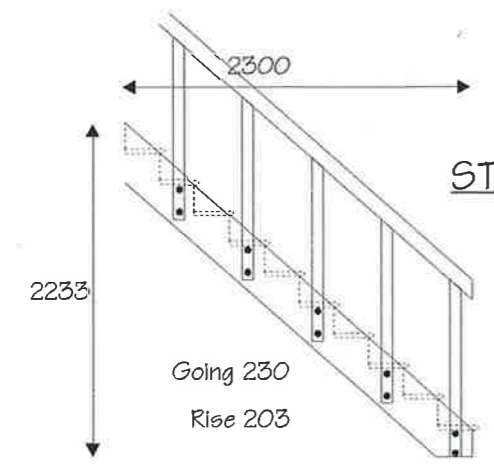


SIDE ELEVATION (IN THE LINE OF ARROW)



EXISTING GARDEN WALL PROPOSED EXTERNAL OPEN TREAD STAIRS, FROM EXISTING CONCRETE PATIO TO DOOR AT FIRST FLOOR 2 METRE HIGH PANEL FENCE ALONG EXISTING CONCRETE PATIO EXISTING GARDEN WALL

REAR ELEVATION



STAIR DETAIL

SCALE 1:50