

RECEIVED BY THE  
PLANNING DEPARTMENT  
07 JUN 2016

IP-16-054



ELITE 70  
GENERAL ASSEMBLIES

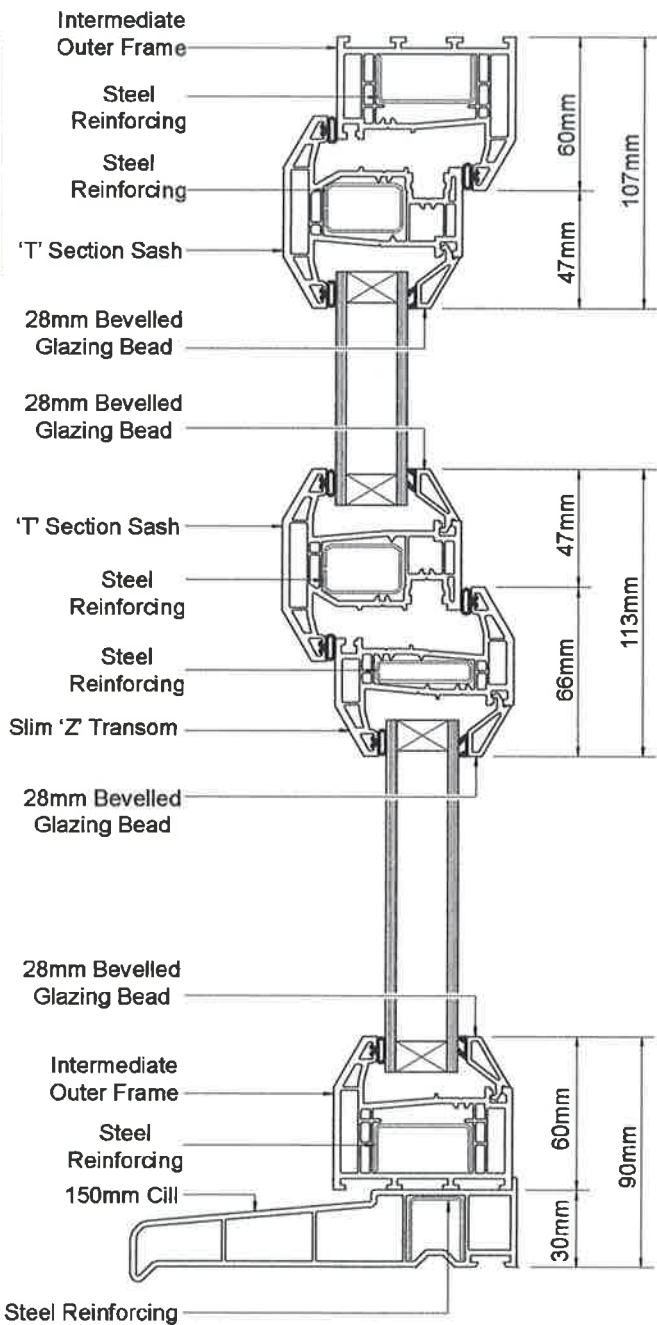
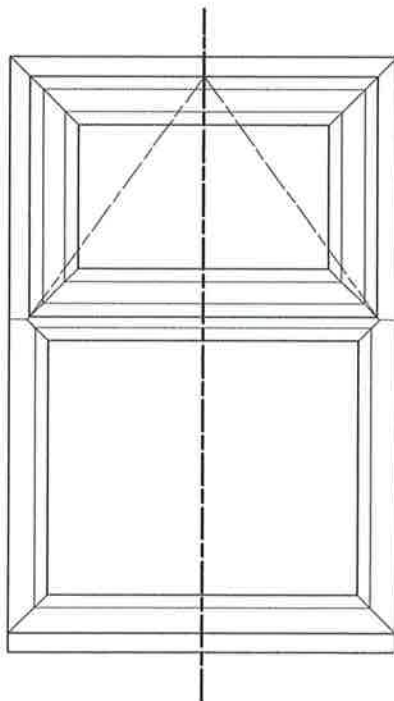
f  
Guide  
E .

INTERNALLY BEADED CASEMENT (BEVELLED)

TYPICAL OPEN-OUT  
CASEMENT WINDOW

SPECIFICATION

Intermediate Outer Frame  
Slim 'Z' Transom  
'T' Section Sash  
28mm Bevelled Glazing Bead  
150mm Cill  
Steel Reinforcing



Note: All reinforcements shown are for diagrammatical purposes only. For application, see pages Int 7 & Gen 7

RECEIVED BY THE  
PLANNING DEPARTMENT  
07 JUN 2016

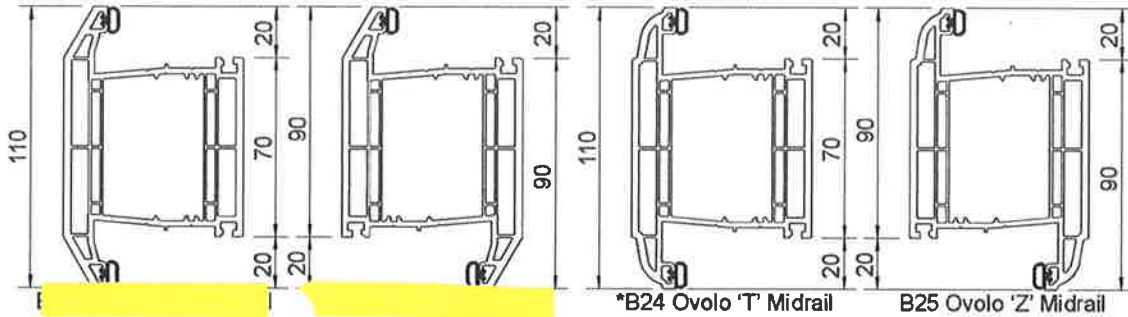
P-16-054



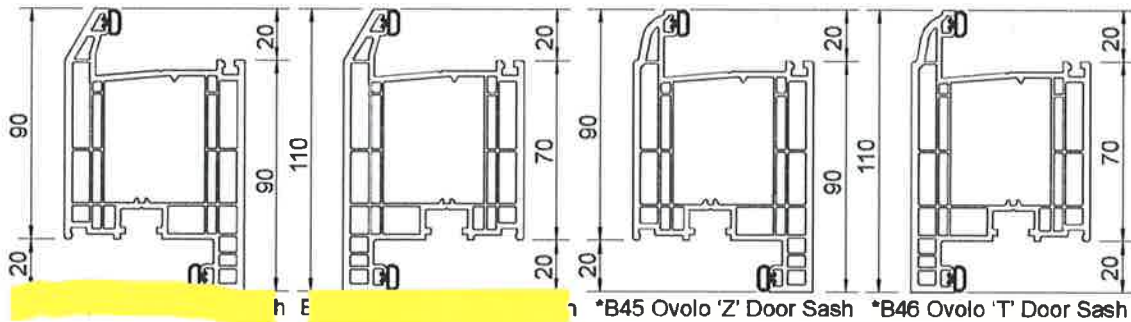
ELITE 70  
PROFILE GUIDE



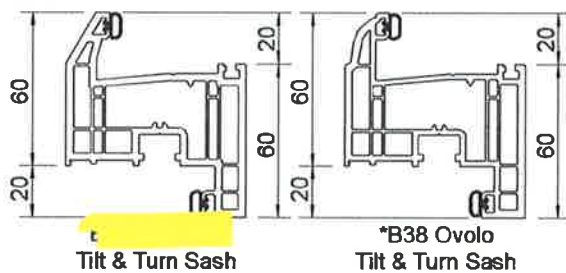
MIDRAILS/MULLIONS



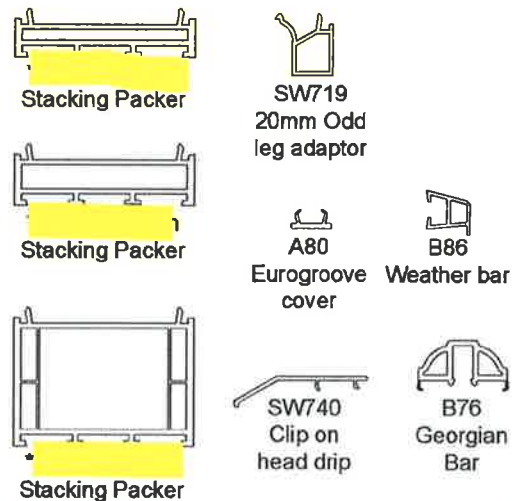
DOOR SASHES



TILT & TURN SASHES



ANCILLARIES



GLAZING BEADS



Note: Profiles marked \* are also extruded in cream.

RECEIVED BY THE  
PLANNING DEPARTMENT

07 JUN 2016

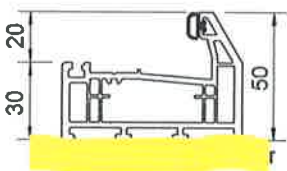
P-16-054



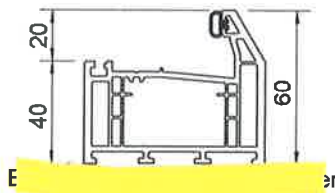
# ELITE 70 PROFILE GUIDE

Guide  
E I

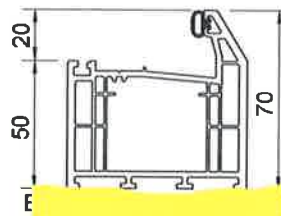
## OUTER FRAMES



B05 Ovolo Slim Outer

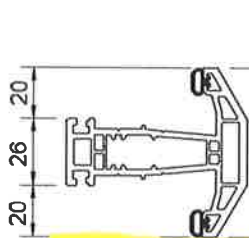


\*B06 Ovolo Intermediate Outer

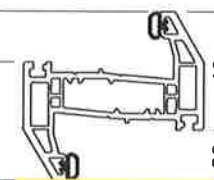


\*B07 Ovolo Large Outer

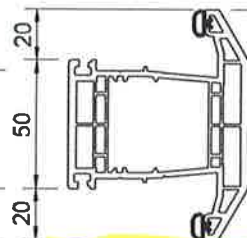
## TRANSOMS/MULLIONS



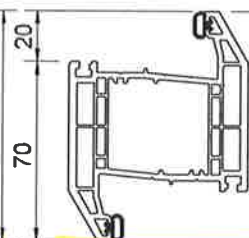
\*B20 Ovolo Slim 'T'



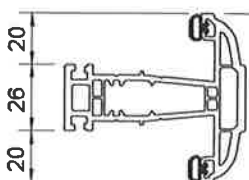
\*B21 Ovolo Slim 'Z'



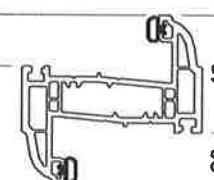
\*B22 Ovolo Intermediate 'T'



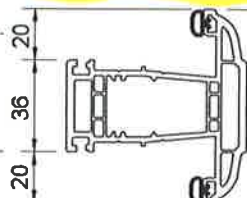
\*B23 Ovolo Intermediate 'Z'



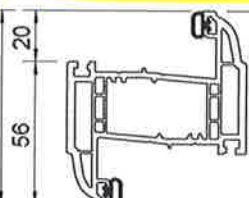
\*B20 Ovolo Slim 'T'



\*B21 Ovolo Slim 'Z'

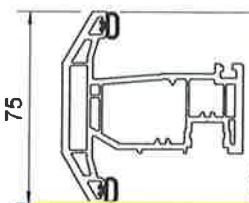


\*B22 Ovolo Intermediate 'T'

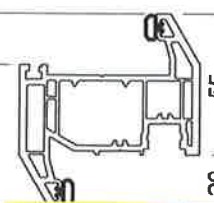


\*B23 Ovolo Intermediate 'Z'

## CASEMENT SASHES



\*B35 Ovolo 'T' Sash



\*B36 Ovolo 'Z' Sash

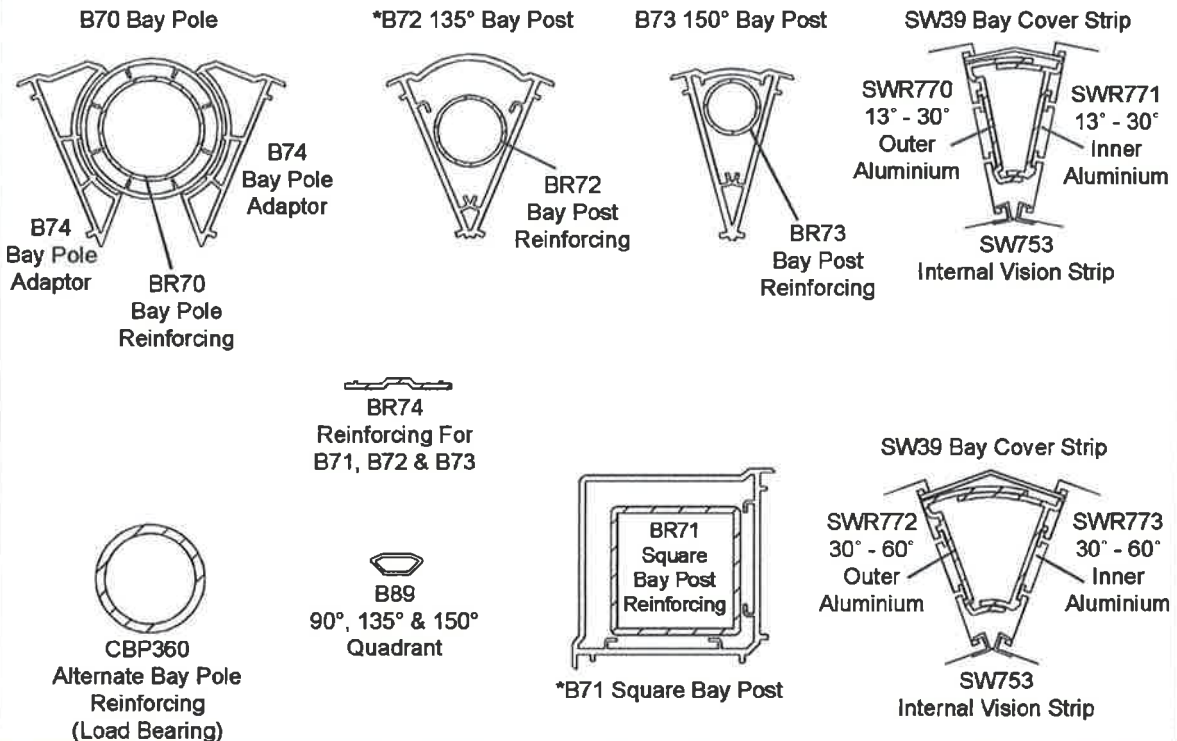
Note: Profiles marked \* are also extruded in cream.

RECEIVED BY THE  
PLANNING DEPARTMENT  
07 JUN 2016

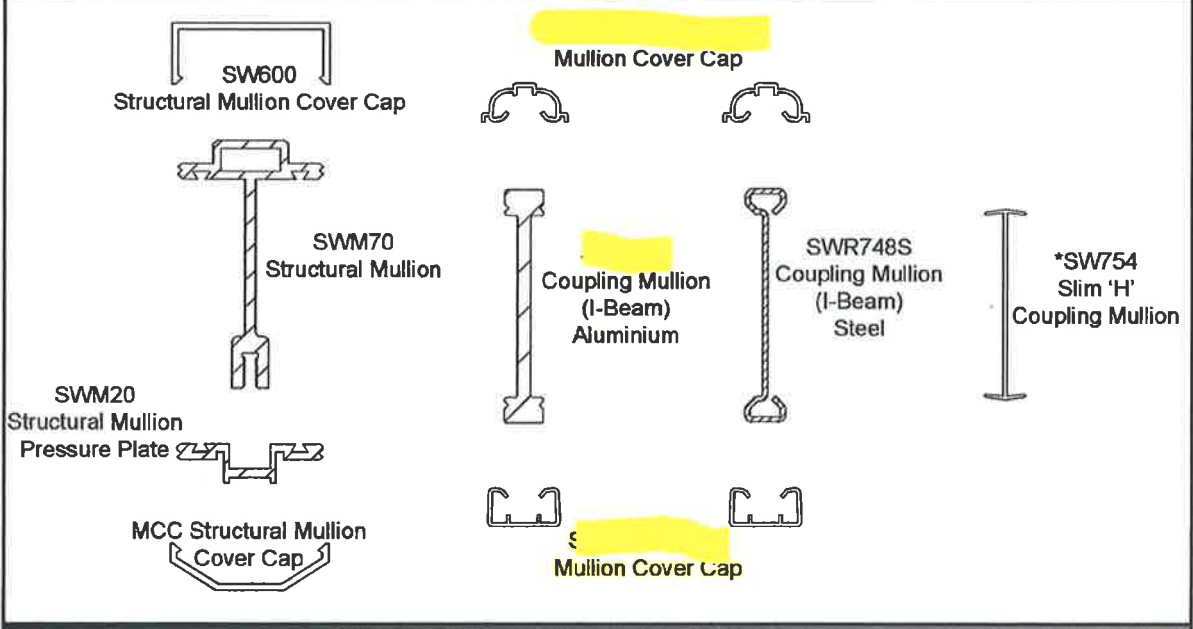
IP-16-054

**Spectus** WINDOW SYSTEMS **ELITE 70** **Guide**  
PROFILE GUIDE

**BAY COUPLINGS**



**COUPLING MULLIONS**



Note: Profiles marked \* are also extruded in cream.