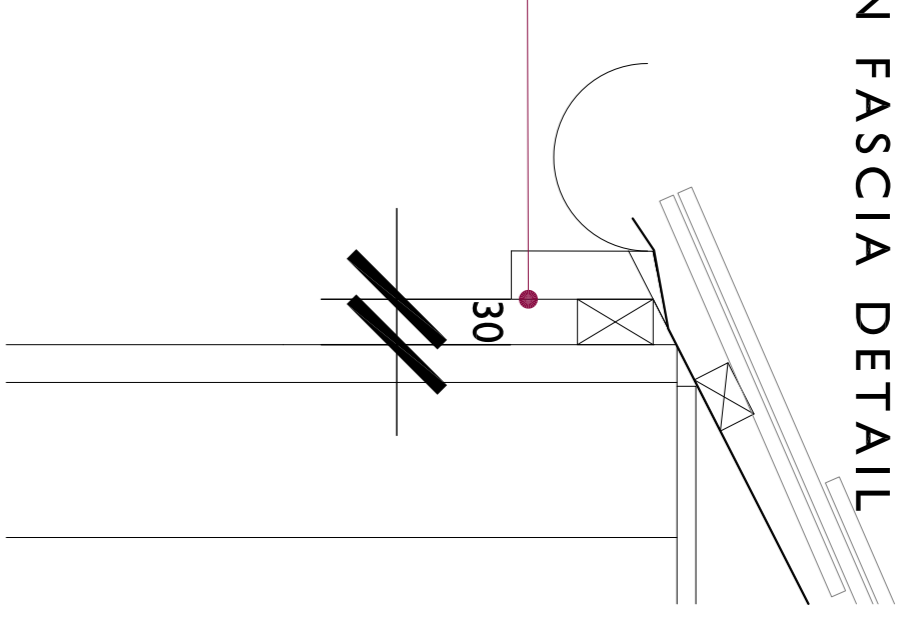


0m 1m 2m 3m 4m 5m

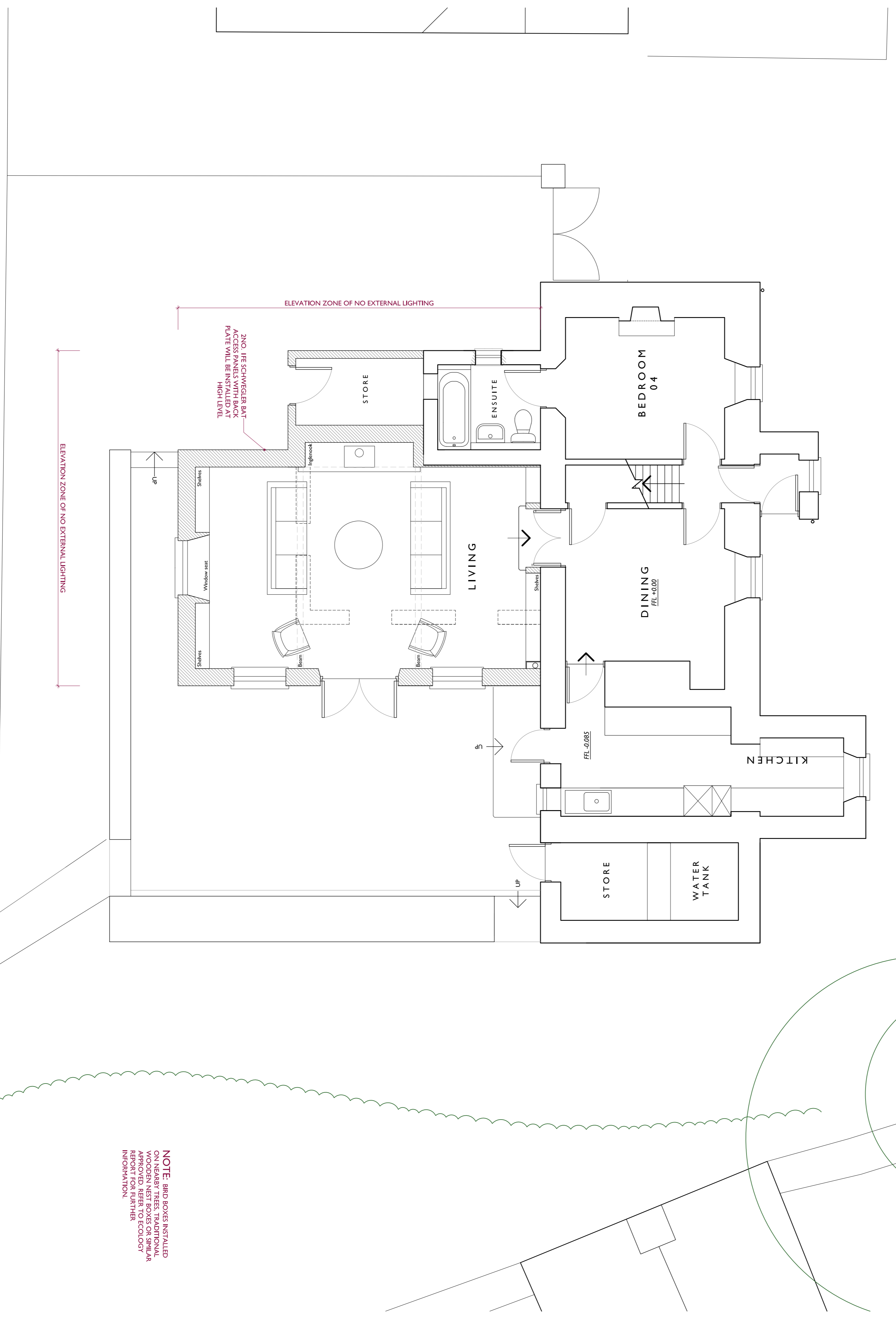
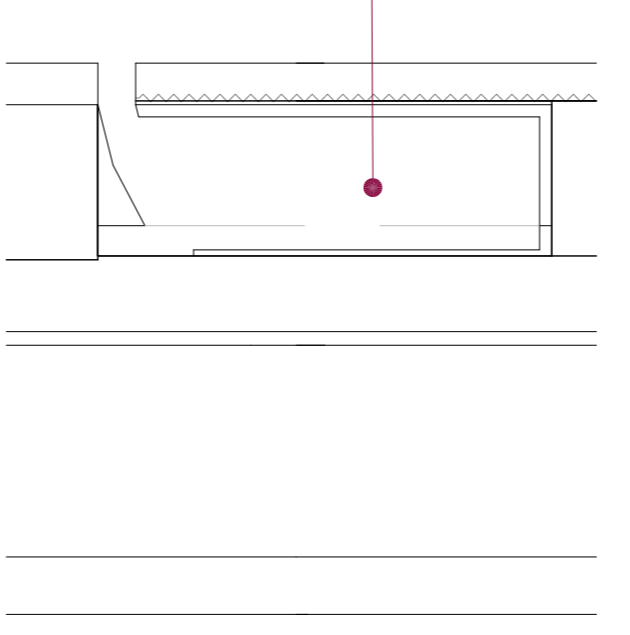
1:5  
SOUTHWEST ELEVATION FASCIA DETAIL

Timber fascia boards fixed min. 30mm off finished face of external rendered wall; Southwest elevation only.



1:5  
SOUTHWEST ELEVATION BATBOX DETAIL

Zno. IFE Schwegler Bat Access Panel with back plate. Installation: fitted into 100mm backing block zone and rendered over so that only the entrance visible.



ELEVATION ZONE OF NO EXTERNAL LIGHTING

Zno. IFE SCHWEGLER BAT ACCESS PANELS WITH BACK PLATE WILL BE INSTALLED AT HIGH LEVEL

ELEVATION ZONE OF NO EXTERNAL LIGHTING

NOTE: TEMPORARY BAT BOX TO BE INSTALLED ON NEARBY TREE IN ADVANCE OF REMOVAL OF ROOF. REFER TO ECOLOGY REPORT FOR FURTHER INFORMATION.

NOTE: BIRD BOXES INSTALLED ON NEARBY TREES. TRADITIONAL WOODEN NEST BOXES OR SIMILAR APPROVED REFER TO ECOLOGY REPORT FOR FURTHER INFORMATION.

1:50  
PROPOSED SITE PLAN

DRW: GW, NL, BGD, JP, PFK/ham  
Rev: DR, CH, DR/ham, N/ham  
PROJECT: TRESCO ESTATE  
NORRARD  
DRAWING: ECOLOGY MITIGATION PLAN  
DRAWING No: 4067 - P 010  
SCALE: 1:50 @ A1  
1:100 @ A3  
DATE: July 2019

