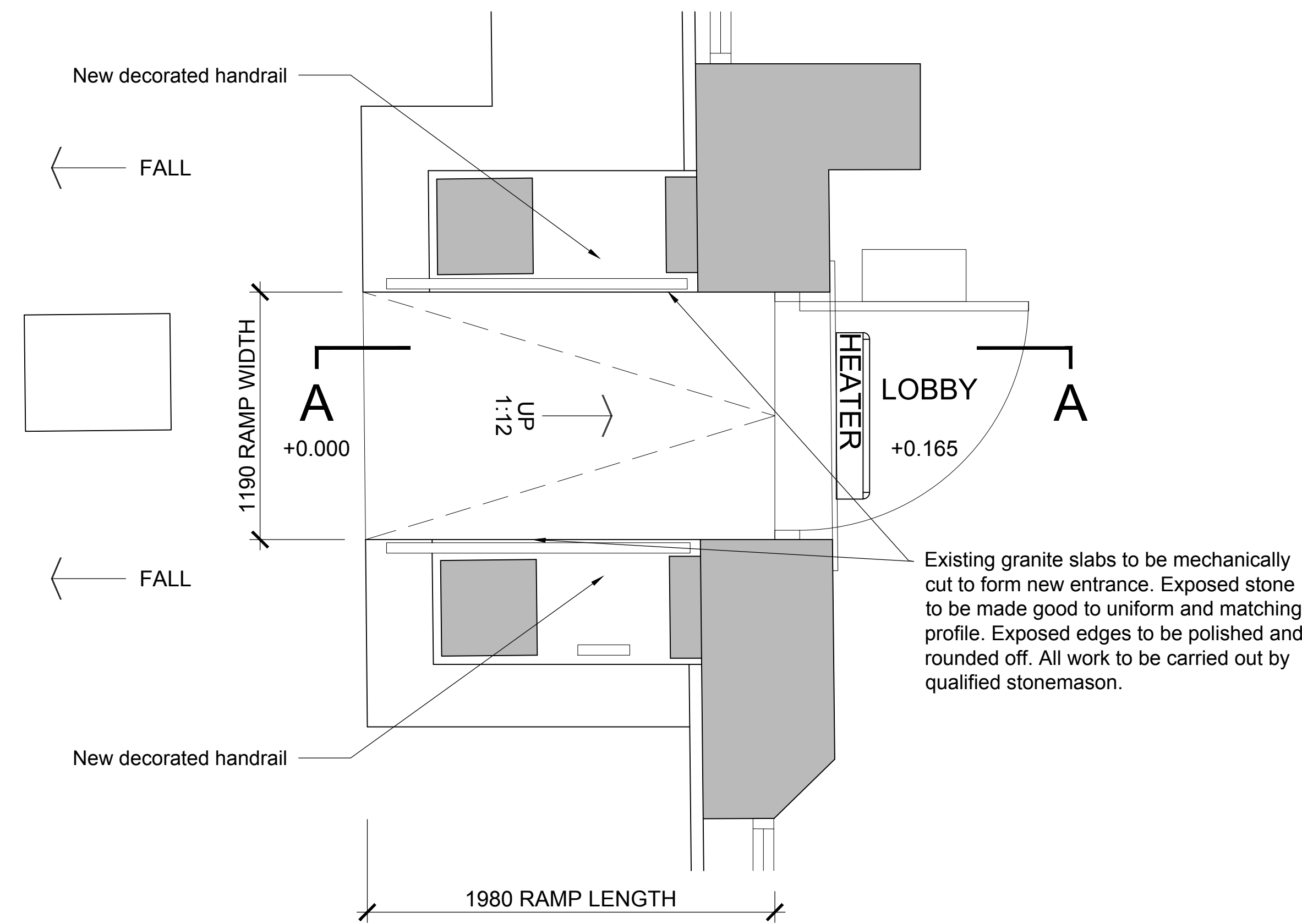
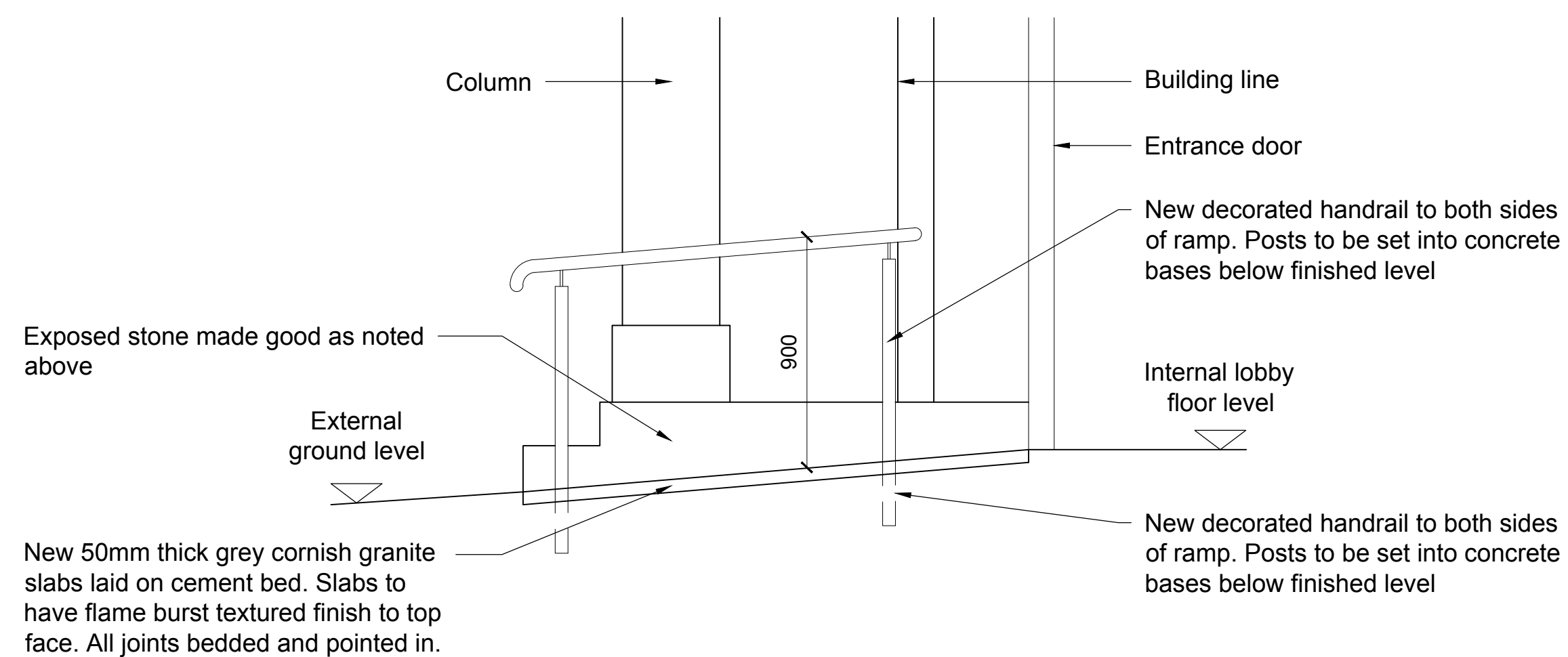


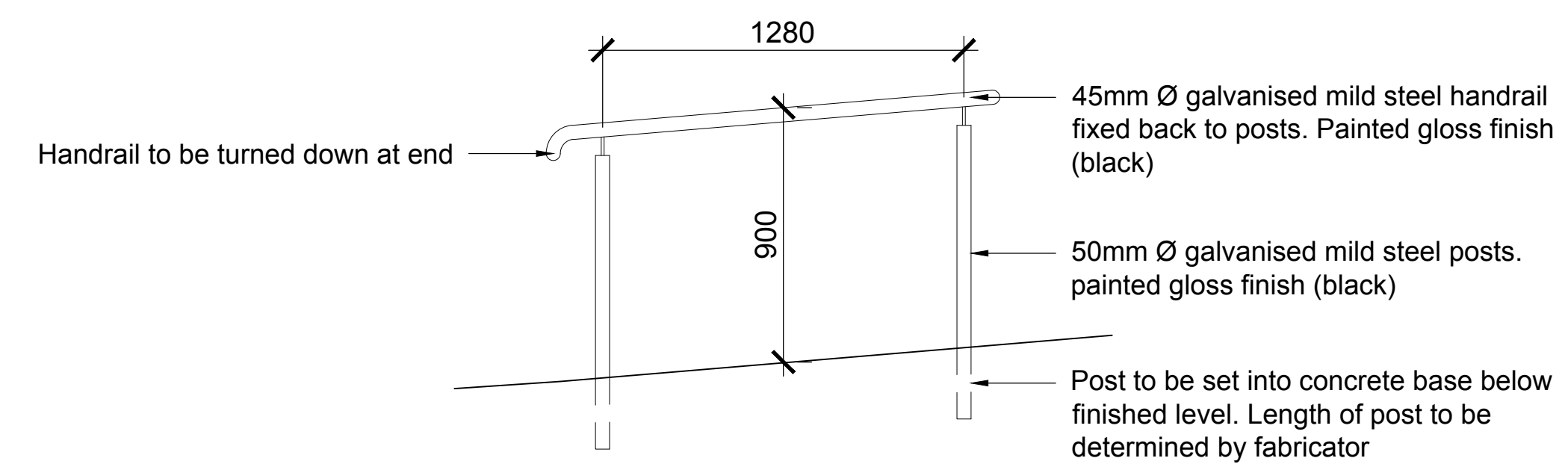
- NOTE:
1. Post dimensions are centre to centre.
  3. All dimensions to be verified on site.
  4. Fabrication drawings to be provided for comment prior to manufacture.
  5. All steelwork to be acid etched primed and painted with gloss finish (black).



## PROPOSED ENTRANCE PLAN



## TYPICAL HANDRAIL ELEVATION / SECTION



## TYPICAL HANDRAIL DETAIL

**RECEIVED**  
By Tom Anderton at 4:05 pm, Dec 18, 2020

REV	DATE	REVISION	INITIALS
<b>LLOYDS BANKING GROUP</b>			
<small>ALL DIMENSIONS TO BE VERIFIED PRIOR TO COMMENCING WORK. DRAWING TO BE READ IN CONJUNCTION WITH PROJECT SPECIFICATIONS.</small>			
<small>THIS DRAWING IS THE PROPERTY OF LLOYDS BANKING GROUP AND COPYRIGHT IS RESERVED BY THEM. THE DRAWING IS ISSUED ON CONDITION THAT IT IS NOT COPIED OR DISCLOSED BY OR TO ANY UNAUTHORISED PERSONS WITHOUT PRIOR CONSENT IN WRITING TO LLOYDS BANKING GROUP - GROUP PROPERTY. ALL MODIFIED DRAWINGS SHOULD BE RETURNED TO LLOYDS BANKING GROUP.</small>			
<b>GROUP PROPERTY</b>			
<small>BRISTOL - PO Box 112, Canons Way, BRISTOL, BS99 7LB EDINBURGH - Sighthill South, 12 Bankhead Crossway South, EDINBURGH, EH11 4EN HALIFAX - Trinity Road, HALIFAX, West Yorkshire, HX1 2RG</small>			
<small>PROJECT ADDRESS</small>		<small>SCALE</small>	
Brand - Lloyds		A1 - 1:20	
St. Mary's Isles Of Scilly		A3 - 1:40	
P.O. Box 2		DATE	
ST MARY'S TR21 0PW		07/12/2020	
<small>DRAWING DESCRIPTION</small>		<small>DRAWN BY</small>	
Typical Details		RH	
Entrance Ramp		<small>REVISION</small>	
<small>DRAWING NUMBER</small>		-	
50252700-AR01-00-0901			