

RECEIVED
By A King at 2:35 pm, Jan 05, 2022



FOR **T**EX[®]

Textured Cladding Systems

FORTEX[®]

Fortex is a range of innovative cladding products that couple the benefits of low maintenance PVC with an attractive embossed wood effect. The range is available in a choice of subtle colours.

Durable

The Fortex cladding range is manufactured using Freefoam's environmentally friendly lead free formulation and is guaranteed to stand the test of time. The range qualifies for a 10 year guarantee* and is backed by Freefoam's unique Colormax technology.

Light and easy to install

Fortex cladding panels are designed to make storing, handling and fitting the range quick and easy. With the Weatherboard cladding weighing just 3.15kg per 5 metre board it is 4 times lighter than a comparable fibre cement board.

The Fortex range includes a comprehensive suite of accessories to ensure easy, straightforward installation in all situations and offers a neat and professional finish.

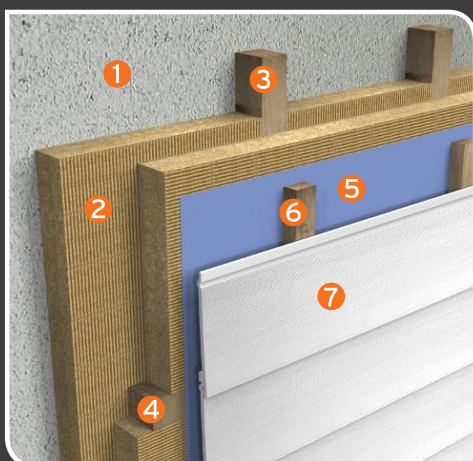


A+ Environmental Rating



No Painting Required

External Insulation Concept



- 1 Substrate
- 2 Semi-Solid Insulation
- 3 Timber Studs
- 4 Timber Counter Battens
- 5 Breather Membrane
- 6 Timber Cladding Battens
- 7 Fortex Cladding

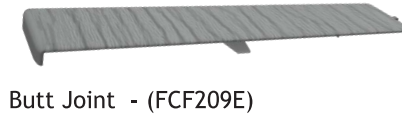
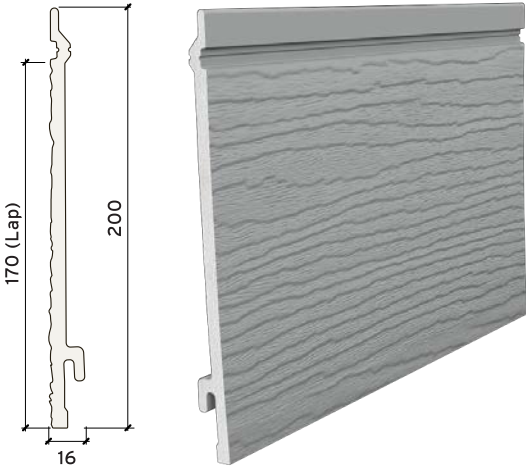
A+ Rated Cladding

With higher fuel costs and the need to reduce carbon emissions exterior cladding offers the ideal solution. Fortex is designed for use on all types of exteriors including brick, masonry and concrete. When fitted with standard insulation materials the Building Research Establishment's (BRE) Green Guide to Specification has given PVC cladding an A+ rating.

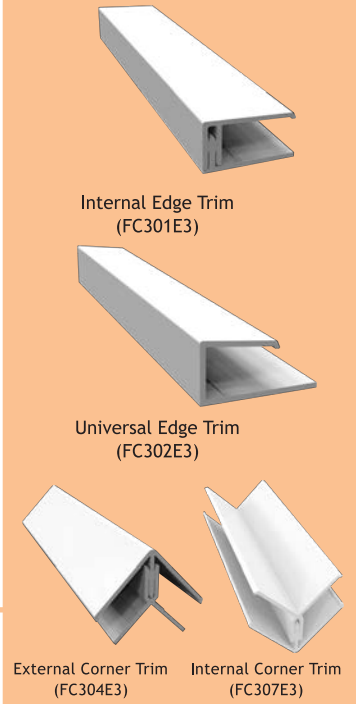
Front Cover: FCF170E - White
Below: FCF170E - Colonial Blue/White

*Please see www.myfreefoam.com for guarantee terms and conditions

**FCF170E
WEATHERBOARD CLADDING**

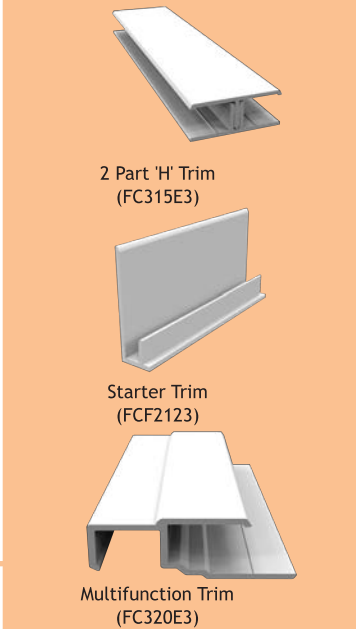
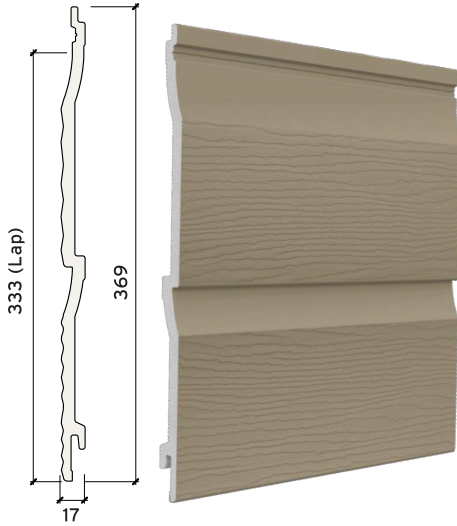


Trim Range

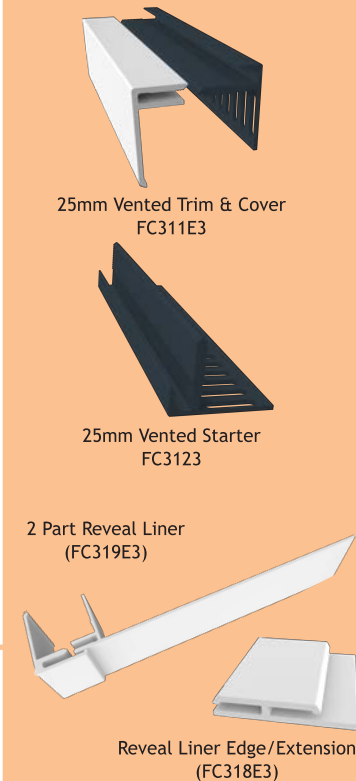
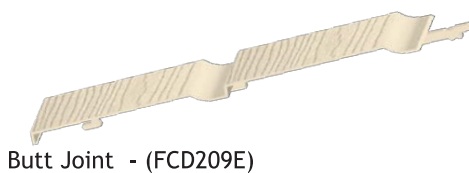
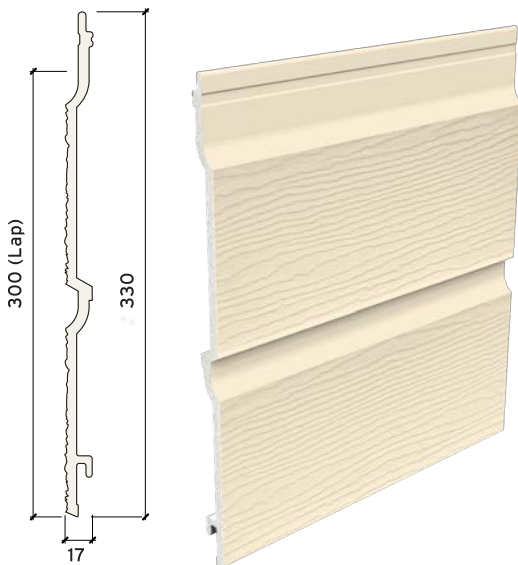


**FCD333E
PRO DOUBLE PLANK SHIPLAP CLADDING**

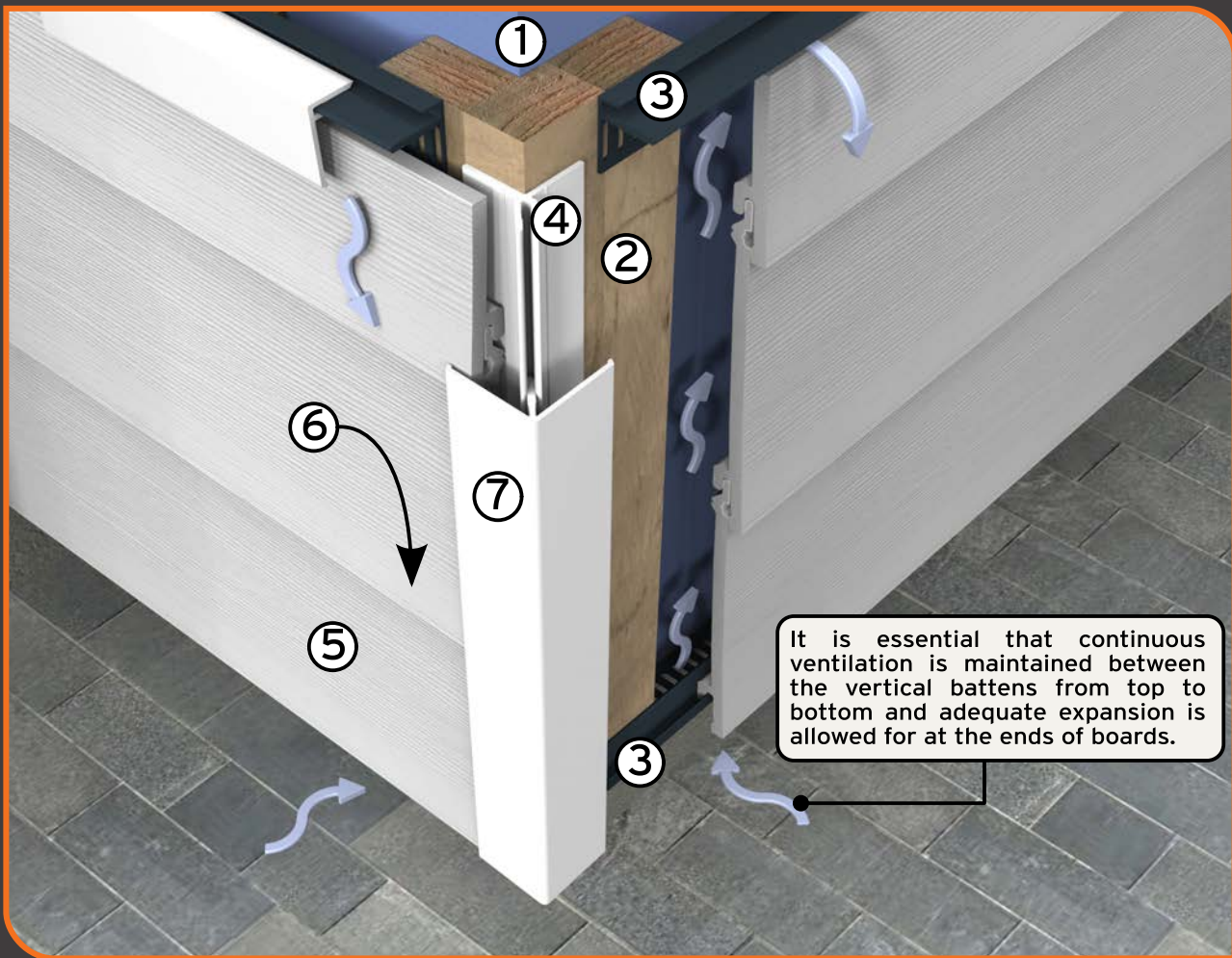
**FORTEX[®]
PRO**



**FCD300E
DOUBLE PLANK SHIPLAP CLADDING**



Product colours shown in this brochure are for availability identification only. Please see colour swatch or product samples for exact colour representations. All specifications, dimensions, descriptions and illustrations contained in any Freefoam sales literature, quotation, pricelist or other advertisement matter are intended merely to present a general idea of the goods we sell. We reserve the right from time to time to make changes which are required to comply with any applicable safety or statutory requirements or which do not materially affect the quality or fitness for purpose of the goods you purchase from us.



Typical Installation Sequence*

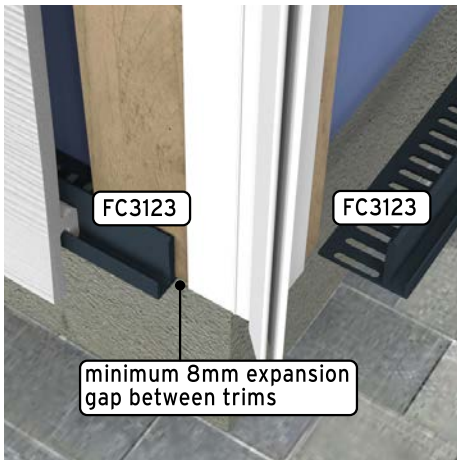
- ① Fix a suitable breather membrane to substrate in accordance with manufacturer's recommendations.
- ② Fix vertical battens* to substrate at 400mm c/c. Start 200mm from the ground.
- ③ Fix ventilated starter/trim along base and top of area to be clad.
- ④ Fix Single Part Trims and/or first part of Two Part Edge, Corner and 'H' Trims as necessary. Do not cut second parts of trim to length yet.
- ⑤ Fit first Cladding Plank to Vented Starter Trim and screw fix top to cladding batten. Where necessary join the ends of boards using a compatible Butt Joint or 'H' Trim.
- ⑥ Interlock next Cladding Plank to the Plank below and screw fix top to cladding batten, repeating the process until the entire area to be clad is covered.
- ⑦ Cut second parts of 2 part trims to length and clip in place.

*Typical Installation Sequence is intended to describe the cladding system. More detailed instructions are available at www.freefoam.com

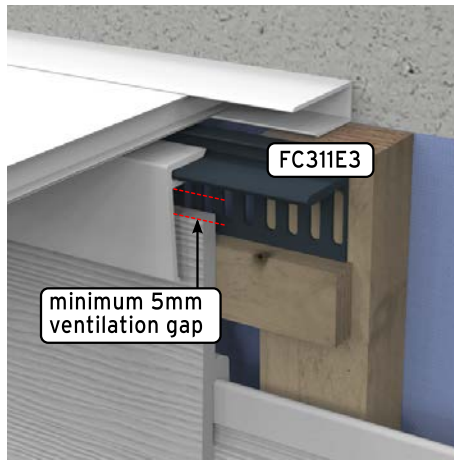
	FCF170E	FCD333E	FCD300E
FC301E3	✓	✓	✓
FC302E3	✓	✓	✓
FC304E3	✓	✓	✓
FC307E3	✓	✓	✓
FC315E3	✓	✓	✓
FCF2123	✓	✓	✓
FC311E3	✓	✓	✓
FC3123	✓	✓	✓
FC320E3	✓	✓	✓
FC318E3	✓	✓	✓
FC319E3	✓	✓	✓
FCF209E	✓		
FCD210E		✓	
FCD209E			✓

Board Length = 5000mm
Trim length = 3000mm

Cladding Type	Cladding Coverage
FCD300E Double Plank	1.5m ² /Length
FCF170E Weatherboard	0.85m ² /Length
FCD333E Double Plank	1.65m ² /Length



Typical Starter



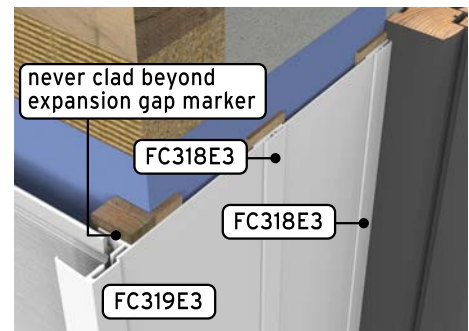
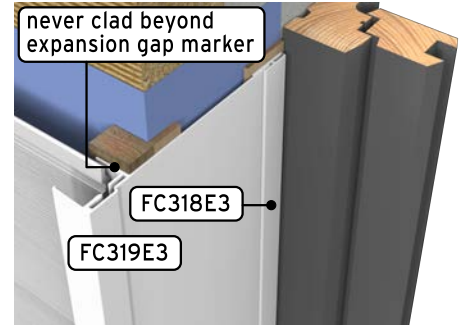
Typical Top/Closer

General Notes:

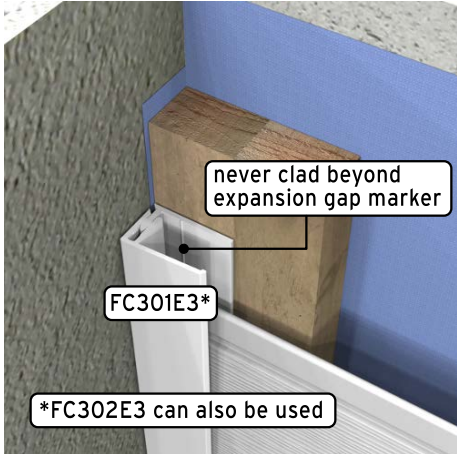
Always allow Thermal Expansion gaps between trims and at ends of cladding boards.

Allow Ventilation at both the top and the bottom of installations as indicated.

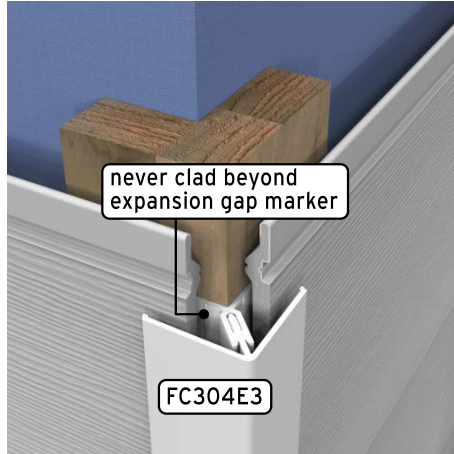
Always Install in accordance with good building practice and relevant regulatory guidance.



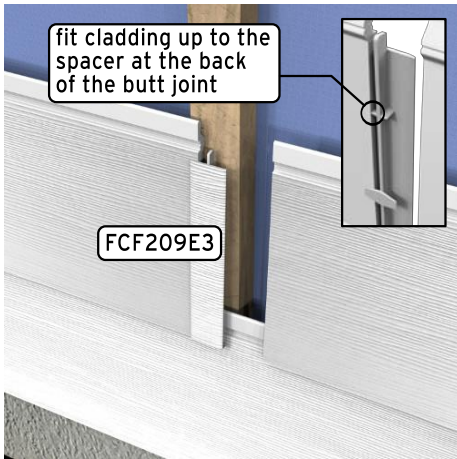
Typical Window Reveals



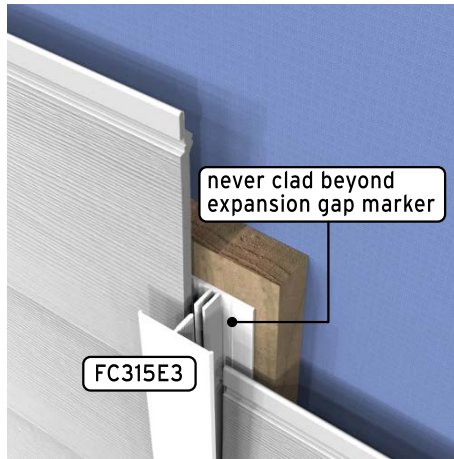
Typical 2 Part Edge



Typical 2 Part External Corner



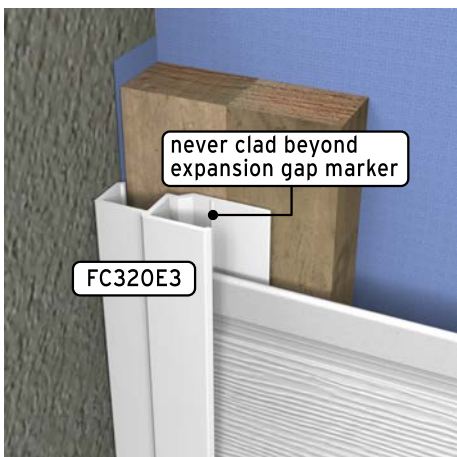
Typical Butt Joint



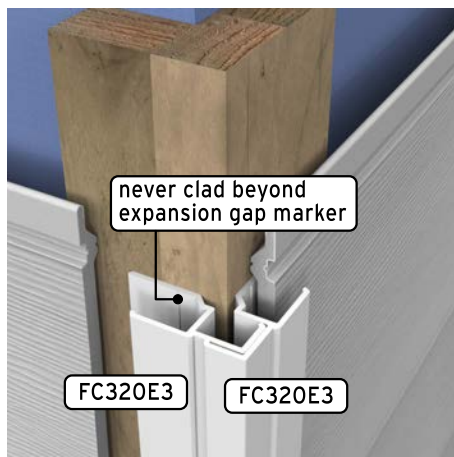
Typical 2 Part 'H' Trim



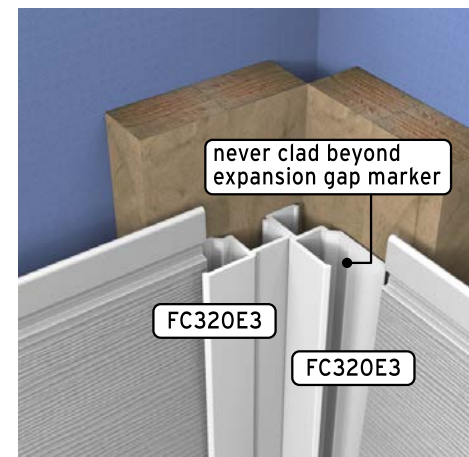
Typical Internal Corner



Typical Edge Detail - Multifunction Trim



Typical External Corner - Multifunction Trim



Typical Internal Corner - Multifunction Trim

Technical and Specification Information

Freefoam cladding products are produced from cellular PVC. A co-extrusion process enables them to be covered with a layer of PVC resistant to UV rays and discolouration. An additional embossing process gives the Fortex products their textured effect.

Material

Cellular PVC
UV Resistant coloured co-extruded skin
Density: 510kg/m³
Expansion coefficient: $5 \times 10^{-5} / ^\circ\text{C}$

Tolerances

Width: +/- 0.5mm
Length: +/-5mm
Thickness: +/- 1mm

Weight per 5m board

FCD300E	6Kg
FCF170E	3.15Kg
FCD333E	7.85Kg

Fire Resistance

Freefoam cellular PVC cladding conforms to the following classification:
D-s3, d2/AHM

Thermal Insulation

Freefoam profiles, due to the cellular foam core composition, have a general thermal conductivity rate of 0.06 and 0.1 W/mK (depending on the configuration and profile thickness). This represents a performance superior to timber or other natural products

The Fortex Colour Range

Freefoam's innovative colour technology provides market leading colour variety, colour matching and colourfastness. By using raw materials with high colourfast properties, Freefoam can confidently offer a wide range of colours.

As a result, specifiers, architects, contractors and homeowners can now put their individual mark on their house or project with ease.



www.freefoam.com
sales@freefoam.com

Sept 2017

