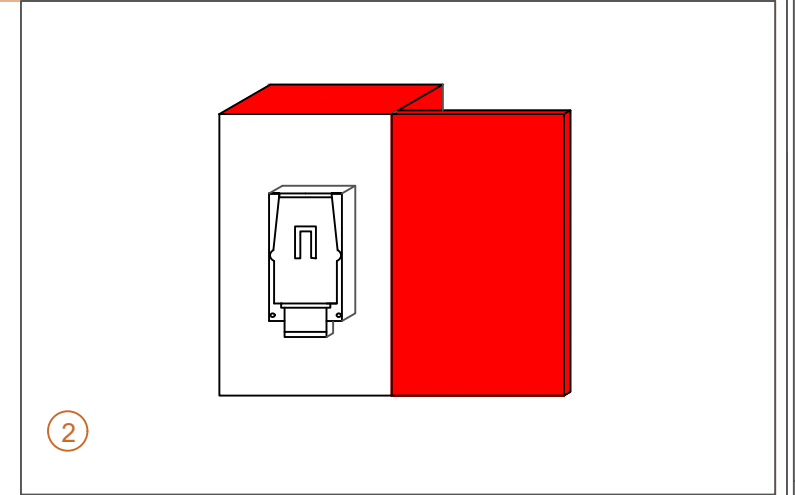
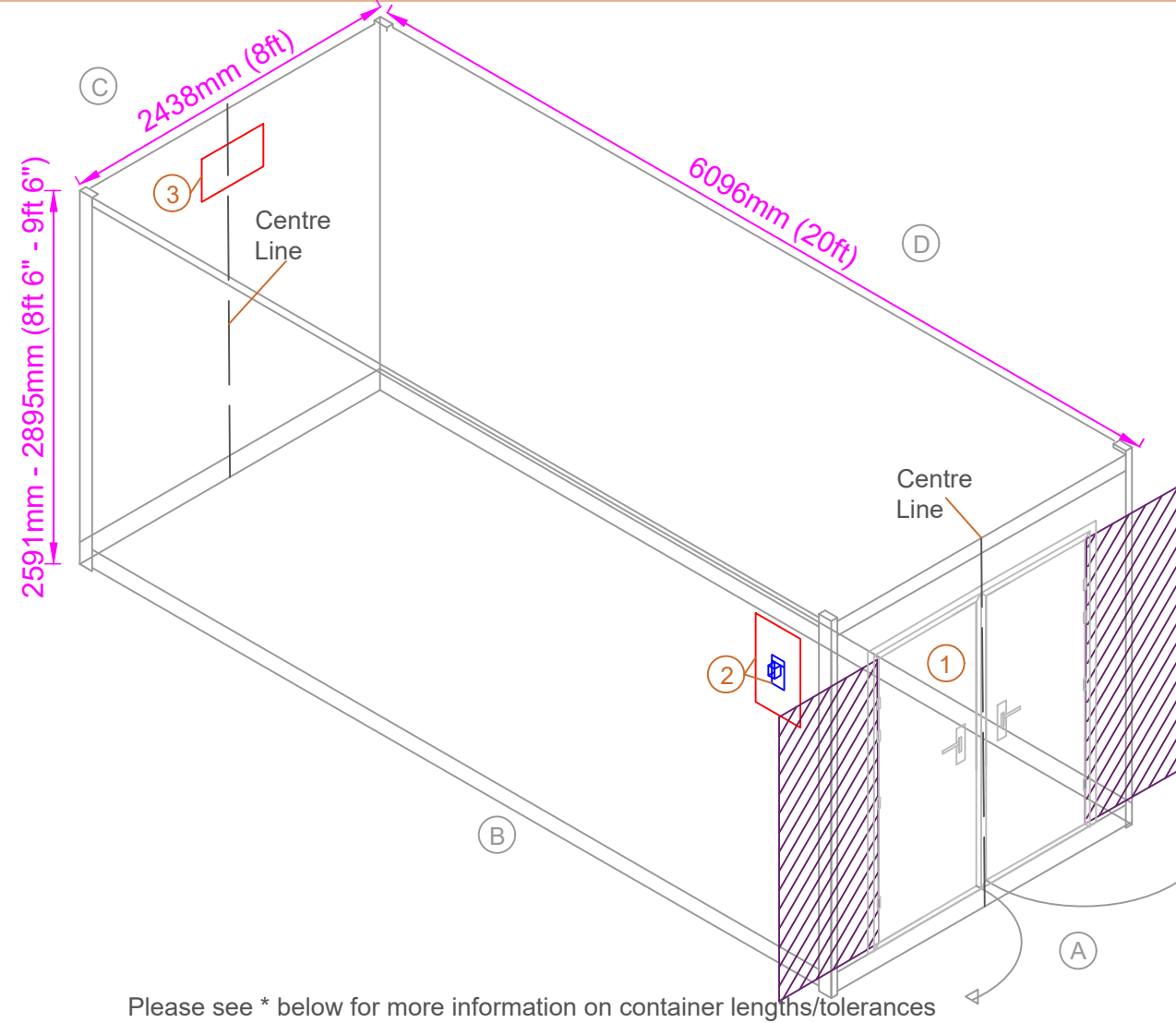


EXTERNAL VIEWPOINT



All Aperture measurements are from outside of corner casting/ box section post to beginning of aperture opening. Measurement will not begin at Box Section Frame.

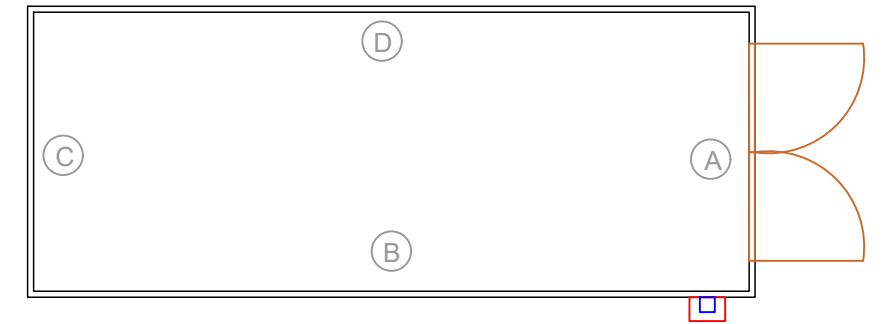
Please see * below for more information on container lengths/tolerances

RECEIVED
By A King at 4:47 pm, Aug 31, 2023

Annotations:

- ① Double Steel personnel door installed **Centrally** on **A**. Double Personnel door to measure 1780mm x 2075mm. **Please note doors will overhang container edge when fully open.**
Box Section Frame - 50 x 50
- ② External hookup to mirror the internal consumer unit installed inside recessed box (size tbc) 250mm from furthest exterior edge of A and 250mm down from top of corner casting/box section post.
- ③ 500mm x 300mm (Size tbc) Aperture for air con unit. to be installed centrally along C and 250mm down from top of corner casing/ box section post.

Plan View Wireframe

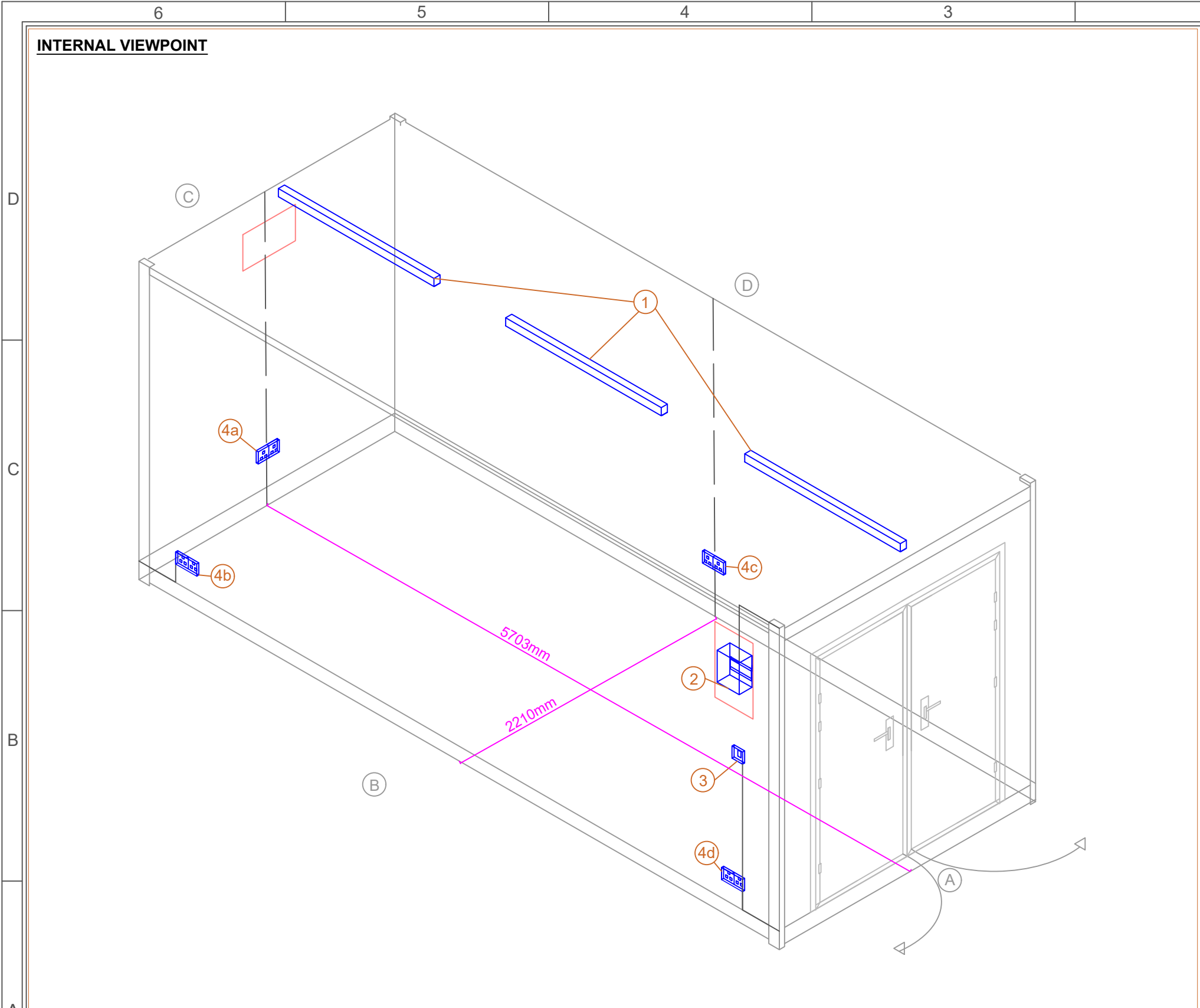


- If this CAD has any aperture(s) over 900mm in width x 2000mm in height (as a guide this would include a standard Personnel Door), you must ensure the bottom rail underneath the aperture(s) is fully supported when the container is sited to prevent any potential deflection.
- Due to stock availability container height may be HC (9'6") or DV (8'6")
- Aperture sizes are from opening to opening. Sizes are approximate and for guidance.
- All measurements are from furthest outside edge of the container.
- Note: The length of the container may vary in size due to the construction and cut down process. As a result, there is a tolerance of up to 152mm (6 inches) on cut down containers.

REF: 92864

Drawn: Ryan
Checked: RS/NC
Approved: Customer

Version: 1
Scale: 1:50
28/07/2023
Sheet 1 of 3



Annotations:

9mm ply lined and insulation. To have Dacrylate clear acrylic glaze on all surfaces including the floor. Internal measurements to be based on finished surface of lining. Will reduce size as shown.*

Electrics:

- ① 3no. LED batons installed across container ceiling evenly.
- ② Consumer unit to be installed on **B 380mm** away from furthest edge of **A** and **475mm** down from internal ceiling. Based on finished surface of lining. Please note external hook-up to mirror this on exterior of container.
- ③ 1no. Light switch installed on **B 250mm** away from furthest edge of **A** and **1200mm** up from internal floor height.
- ④ 4no. Double sockets to be installed. **4a** to be installed centrally on **C**. **4b** to be installed on **B 250mm** away from furthest edge of **C**. **4c** to be installed centrally on **D**. **4d** to be installed on **B 250mm** away from furthest edge of **A**. All to be **250mm** up from internal floor height.

Internal Dimensions - Minimum

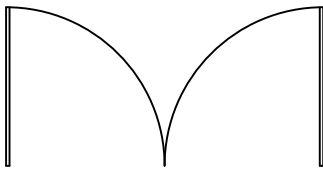
Length - 5703mm
 Width - 2210mm
 If Container is DV and Ply/Melamine lined
 Internal Height - 2202mm
 If Container is HC and Ply/Melamine lined
 - Internal Height - 2473mm



- If this CAD has any aperture(s) over 900mm in width x 2000mm in height (as a guide this would include a standard Personnel Door), you must ensure the bottom rail underneath the aperture(s) is fully supported when the container is sited to prevent any potential deflection.
- Due to stock availability container height may be HC (9'6") or DV (8'6")
- Aperture sizes are from opening to opening. Sizes are approximate and for guidance.
- All measurements are from furthest outside edge of the container.
- Note: The length of the container may vary in size due to the construction and cut down process. As a result, there is a tolerance of up to 152mm (6 inches) on cut down containers.

| | |
|-------------|--------------|
| REF: 92864 | |
| Version: 1 | 28/07/2023 |
| Scale: 1:40 | Sheet 2 of 3 |

Drawn: Ryan
 Checked: RS/NC
 Approved: Customer



Double Personnel door



5ft LED Light



Double Socket 250mm AFFL



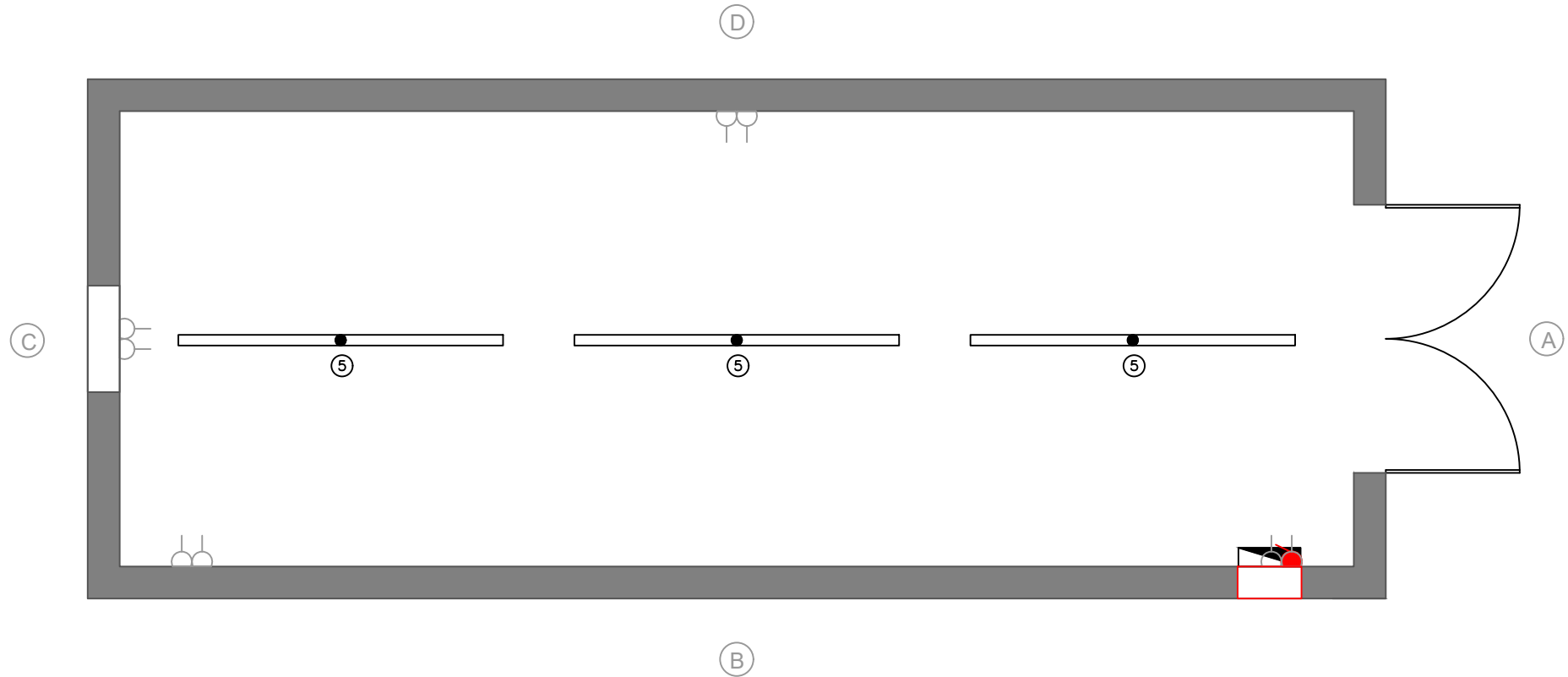
DB Board 380mm Down



Light Switch 1200mm AFFL



Recessed Box 250mm Down



| | | | | | | | | | | |
|--------------------|---------------|----|-------------------------|--------------------------|--|--|-------|----------|-------------|-------|
| Fittings | Yes | No | General Specifications: | | Amendments/Additions to Specifications: | | | | | |
| Fork pockets: | | X | Wall boards: | 9mm Ply | 3 coats of Dacrylate clear acrylic glaze on all surfaces including the floor | | | | | |
| Wiring System: | | | Flooring: | Standard | | | | | | |
| 6242YH to BS 6004 | | | Cabin Profile: | Container conversion | | | | | | |
| Checked and Signed | | | Insulation: | 50mm Standard insulation | INTERNAL HEIGHT APPROX. 2202/2473mm | | 1 | 28.07.23 | FIRST ISSUE | RK |
| Authorised: | RS 28/07/2023 | | Paint Code: | TBC | | | Issue | Date | Amendments | Drawn |
| Sales: | | | Drawing No: | | | | | | | |
| Depot: | | | Job No: | 92864 | 20FT x 8 FT | | | | | |

